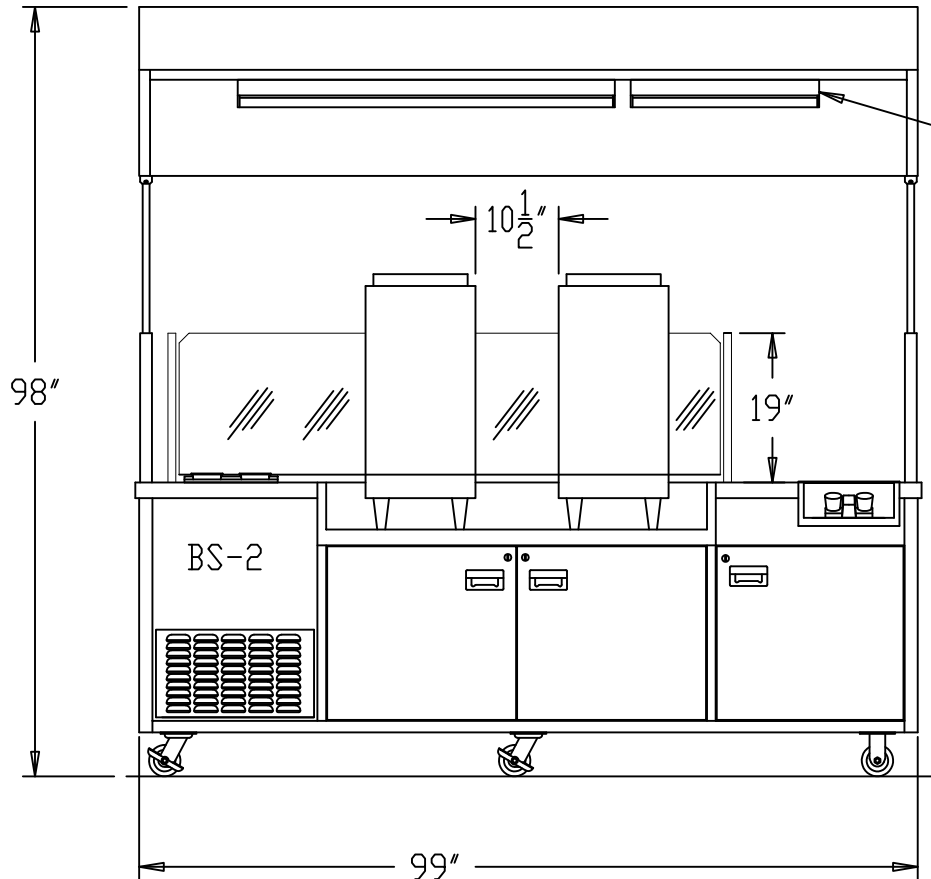


PLAN VIEW

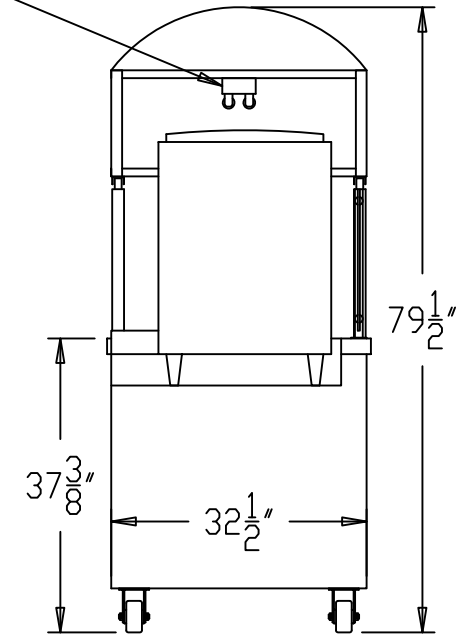
DRINK CART-  
 GRAPHICS  
 CART  
 (3) SIDES CART BODY  
 STAINLESS STEEL OPERATOR SIDE  
 CANOPY  
 DOME TO BE WHITE LEXAN  
 GRAPHICS ENDS AND SIDES

SINK  
 WATER TANKS ARE PLASTIC AND REMOVABLE  
 (6) GALLON FRESH  
 (7) GALLON WASTE



OPERATOR ELEVATION

(1) 48" 2 BULB  
 (1) 24" 2 BULB  
 FLUORESCENT  
 FIXTURES



|                                 |           |                |          |
|---------------------------------|-----------|----------------|----------|
| REV.                            |           | C. NELSON MFG. |          |
| TITLE: FROZEN DRINK CART W/SINK |           |                |          |
| USED ON: NATURAL FRUIT          |           |                | 1 OF 1   |
| DWN. BY: PAC                    | PART NO.: |                | SO_40531 |
| DATE: 04/24/06                  |           |                | REV. NR  |
| SCALE: AUTO                     |           |                |          |