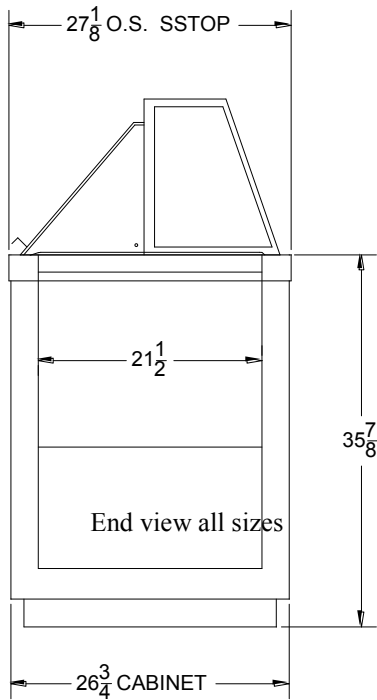




1289 Fordham Blvd  
 Suite 117  
 Chapel Hill, NC 27514  
 877-817-5716

## VISUAL DISPLAY DIPPERS

*All Dippers  
 All Digital  
 All the Time*  
 Best deals on the internet...Ideal for the professional or an upstart ice cream business. Conci-



**SPECS AND FEATURES FOR DISPLAY DIPPING CABINETS**  
 EXTERIOR WHITE ENAMEL STEEL  
 INTERIOR STAINLESS STEEL  
 NSF & ETL LISTED  
 GLASS CANOPY CONTRUCTION  
 PTEG LIFT LIDS  
 LED LIGHTS  
 COLD WALL EVAPORATORS  
 MANUAL DEFROST

MODEL	4DIP, 27"	6DIP, 37"	8DIP, 47"	12DIP, 67"	16DIP, 87"
CAPACITY	4 3-GAL CANS	8 3-GAL CANS	12 3-GAL CANS	20 3-GAL CANS	28 3-GAL CANS
FACINGS	4 FACINGS	6 FACINGS	8 FACINGS	12 FACINGS	16 FACINGS
TEMP RANGE	-10 DEG F. TO +30 DEG F.	-10 DEG F. TO +30 DEG F.	-10 DEG F. TO +30 DEG F.	-10 DEG F. TO +30 DEG F.	-10 DEG F. TO +30 DEG F.
COMP. H.P.	1/5 H.P.	1/3 H.P.	1/3 H.P.	5/8 H.P.	3/4 H.P.
ELECTRICAL-STD OPTIONAL	115 V., 8 AMPS 220 V., 4 AMPS	115 V., 8 AMPS 220 V., 4 AMPS	115 V., 8 AMPS 220 V., 4 AMPS	115 V., 8 AMPS 220 V., 4 AMPS	115 V., 10 AMPS 220 V., 6 AMPS
REFRIGERANT	R404a	R404a	R404a	R404a	R404a



1289 Fordham Blvd  
Suite 117  
Chapel Hill, NC 27514  
877-817-5716

