



IHC-48

The IHC series contains the most powerful standard refrigeration system in its class.

IHC SERIES

Ice Cream Hardening And Holding Cabinets

MODELS

- IHC-27
- IHC-48

FEATURES

STANDARD ELECTRONIC CONTROL

- Allows user to easily monitor defrost functions from the panel interface on the front of the merchandiser
- Audible and visual alarm
- Decreases service time and calls
- Eliminates room thermostat, defrost termination/fan delay control, defrost timer and digital thermometer or other temperature indicator

CONSTRUCTION

- Digital thermometer
- Electric condensate evaporator
- Heavy-duty 6"-7" adjustable legs
- 4 heavy-duty welded wire gray epoxy-coated cantilever shelves per section
- 2 1/2" foamed-in-place "zero ODP" urethane insulation

FINISH

- Stainless steel front
- Anodized aluminum sides and interior

DOORS

- Two staggered height, energy saving insulated inner doors with magnetic catches per section
- Door swing:
 IHC-27hinged left
 IHC-48..... left door hinged left, right door hinged right
- Self-closing doors with 90° hold-open feature
- Sure-sealing magnetic gaskets (replaceable)
- Heavy-duty horizontal door handle
- Anti-condensate door frame heater
- 2" stainless steel foamed-in-place doors
- Lift-off inner and outer doors

REFRIGERATION

- Refrigerant: R-404A
- Self-contained, top mounted, semi-hermetic refrigeration system

- Minimum 4" clearance required between cabinet back and wall
- Temperature range: 0° to -40°F (-18° to -40°C)
- R-factor (insulation efficiency rating): 21.55 on walls, 17.24 on doors

WARRANTY

- Standard limited four year extended compressor and one year limited parts and labor

OPTIONS

- Add suffix "R" for remote system on IHC-48 only
- Casters
- Extra welded wire gray epoxy-coated cantilever shelves
- Pan rack
- Voltage boosting transformer



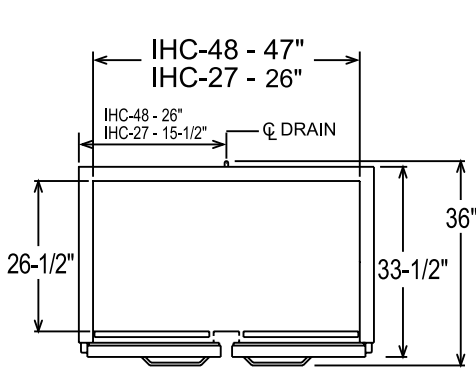
IHC SERIES

ICE CREAM HARDENING AND HOLDING CABINETS

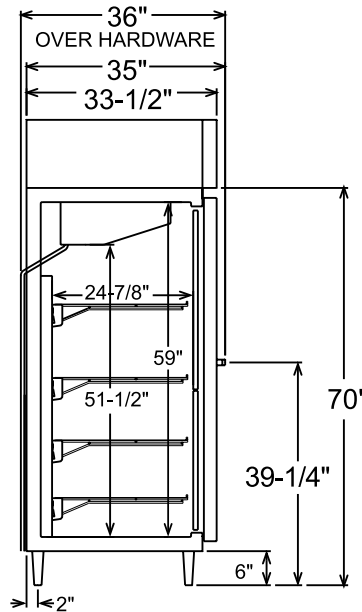
TECHNICAL SPECIFICATIONS

MODEL	DIMENSIONS (in.)			DIMENSIONS (mm)			VOLTS**	AMPS	UNIT H.P.	NO. OF SECTIONS	NO. OF SHELVES	STANDARD SHELF SIZE (in inches)	CAP. 3 GAL. CANS	SHIP CU. FT.	SHIP WT. LB/KG
	L	D	H*	L	D	H*									
IHC-27	31	36	82	787	914	2083	208-230	7.4	1	1	4	23 ³ / ₈ x 24 ⁵ / ₈	20	76.0	490/223
IHC-48	52	36	82	1321	914	2083	208-230	11.5	1 ¹ / ₂	2	8	22 x 23 ¹ / ₂	43	119.0	690/314

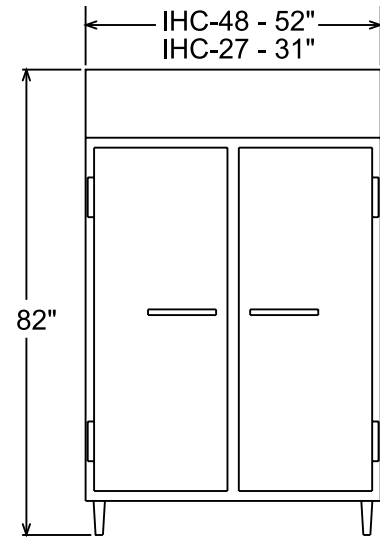
*Height includes 6-7" adjustable legs. **IHC models operate on a minimum of 208 volts. A voltage boosting transformer (part no. 39-01087) must be used when the supply voltage is less than 208 volts.



PLAN VIEW



SIDE VIEW



ELEVATION VIEW

LISTINGS



HOOKUP

Via plug in, 8 foot long, flexible 3 wire 14/3 cord with molded plug. 15 amp/220 volt service is recommended.



BID SPECIFICATIONS

Item no. IHC-_____ Provide _____ () Ice Cream Hardening and Holding Cabinet(s), Master-Bilt model no. IHC-_____.

Cabinet will be equipped with an electronically controlled monitoring system. It will also be provided with an electric condensate evaporator, 6"-7" adjustable legs,

four welded wire, gray epoxy-coated cantilever shelves, 2¹/₂" foamed-in-place "zero ODP" urethane insulated walls. Cabinet to have stainless front with anodized aluminum sides and interior.

Cabinet also to have 2" stainless steel, self-closing, foamed-in-place doors. Interior doors to be provided with cabinet.

The refrigeration system is to be top mounted, self-contained and use R-404A refrigerant. The temperature range will be 0° to -45°F (-18° to -41°C). Cabinet to have standard limited four year extended compressor warranty and one year limited parts and labor warranty. Cabinet to be UL, C-UL and NSF listed.

NOTE: Cabinet designed for optimum performance in air-conditioned area at 75°F ambient and 55% relative humidity. All specifications subject to change without notice.